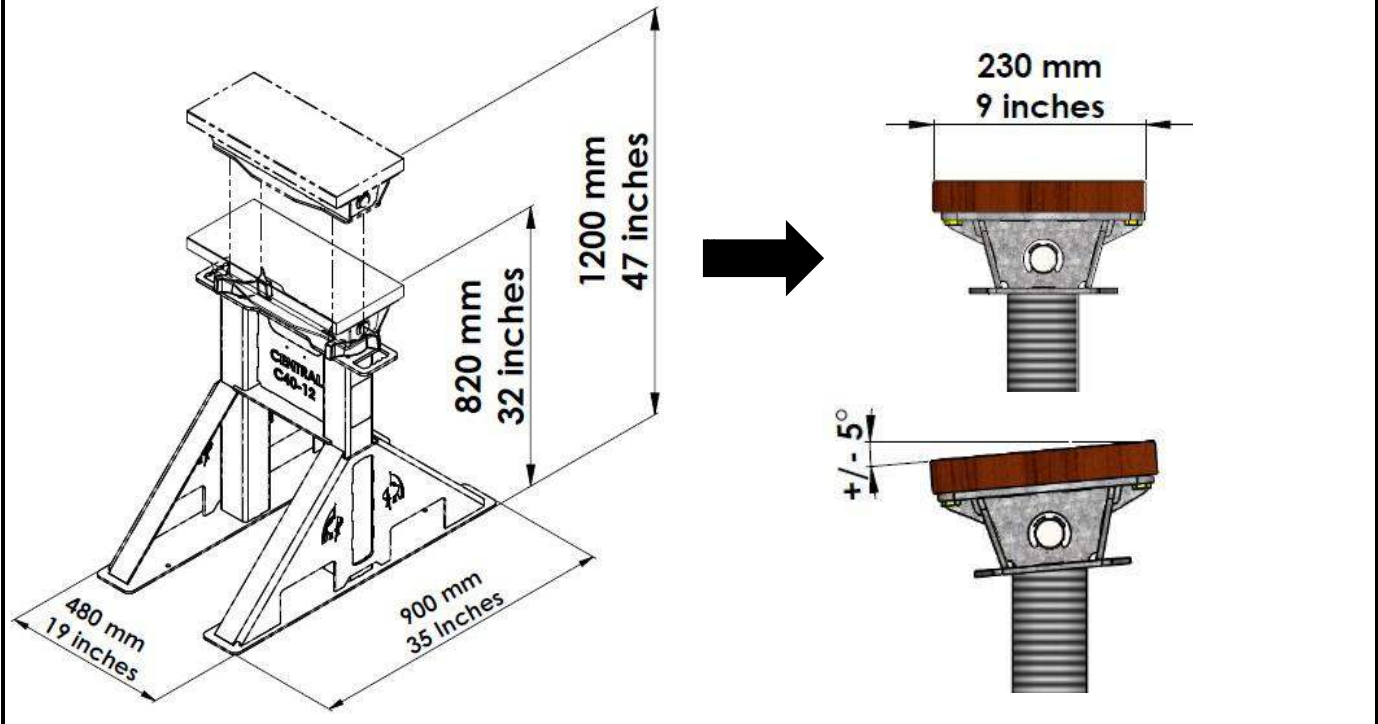




CENTRAL C40-12

V 1.1



95 KG

**MAX GROUND PRESSURE
1.9 MPa**

SWL = 40 000 kg

