**Features**

Dimensions (a x b x c) : 1340mm x 500mm x 560mm

Average weight : 25 kg

Material : Hot galvanised steel structure

Ekki wood side pad (base of 220mm x 70mm)

Ekki wood middle pad (base of 150mm x 50mm)

W.L : 2500 Kg - Storing boat

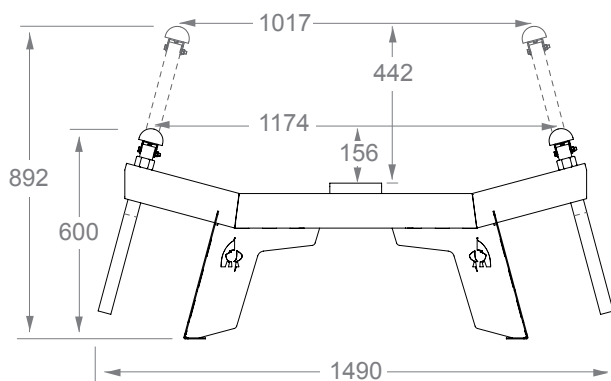
1000 Kg - lifting boat

Hardware : 2 stainless steel A2 screws THPF M8x50

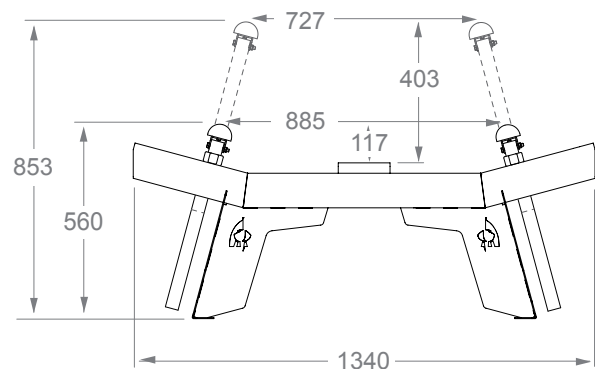
2 stainless steel A2 nylostop nuts M8

10 stainless steel A2 sleeper screws M6x30

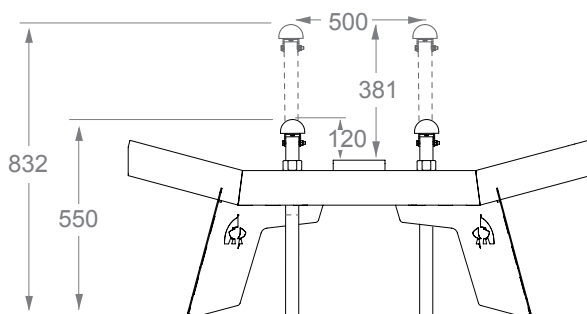
2 propping screws Ø28 mm + nuts

**Center distance & storing heights** (Sizes in mm)

Outer positions



Middle position



Inner position

- Product sheet -