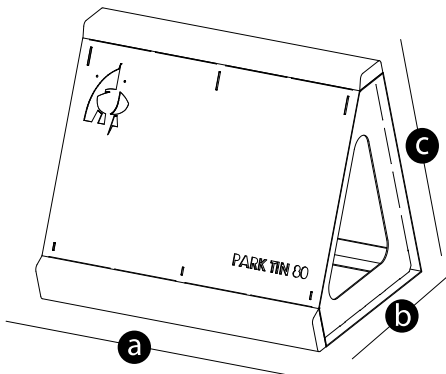




Characteristics



Dimensions (a x b x c) : 600mm x 390mm x 490mm

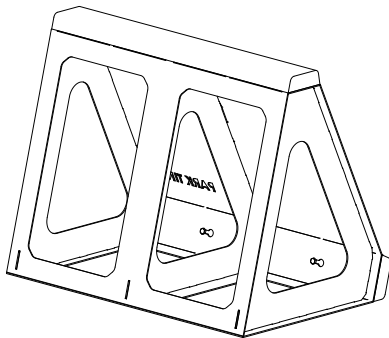
Average weight : 17 kg

Materials: hot galvanised steel structure
Ekki wood pads (base of 600mm x 90mm)

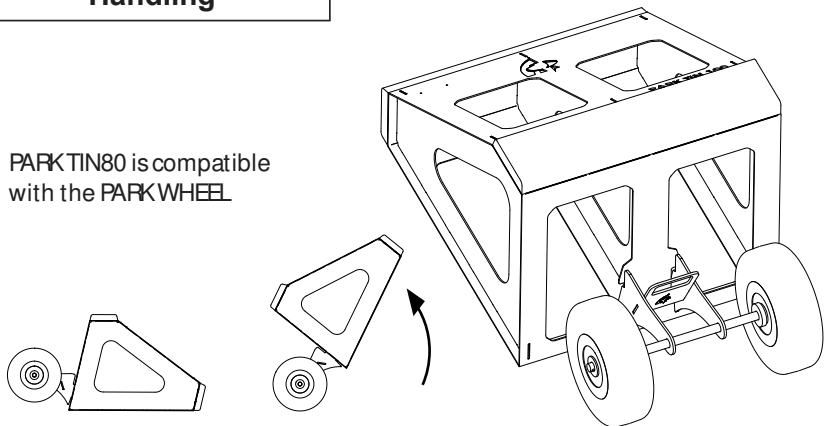
W.L : 5 T point load
8 T distributed load

Hardware : 4 stainless steel A2 sleeper screws M6x30

Handling

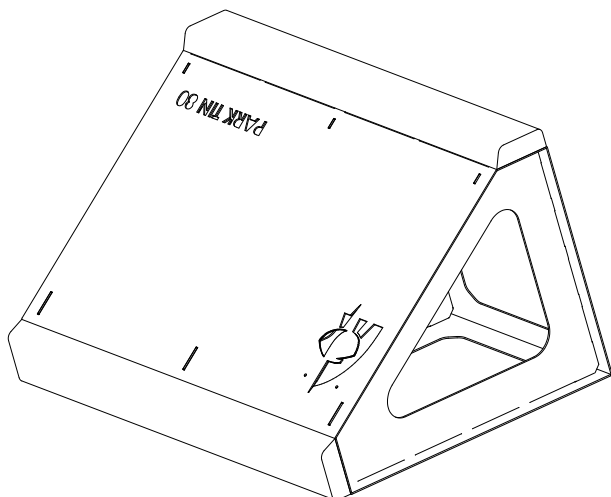


PARK TIN80 is compatible with the PARK WHEEL.

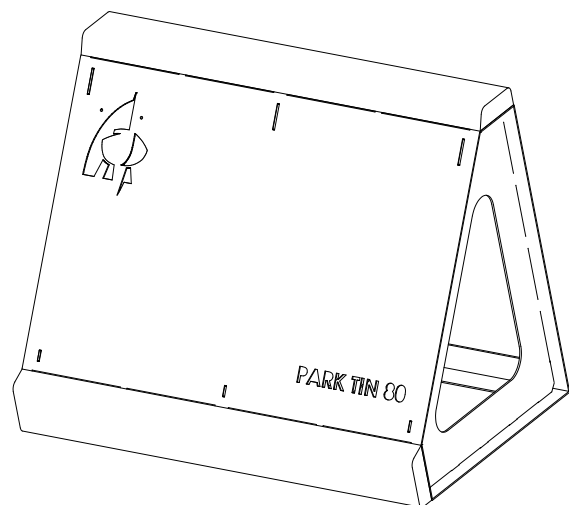


Storing heights

Boat storing at 390 mm high



Boat storing at 490 mm high



- Product sheet -