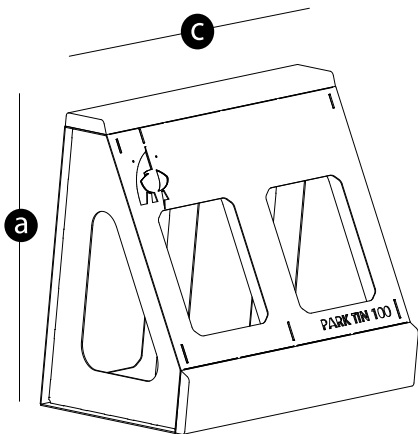




## Nautipark

## PARK TIN100

V. 2.1



### Features

Sizes (a x b x c) : 640mm x 480mm x 600mm

Average weight : 31 kg

Material: Hot galvanised steel structure

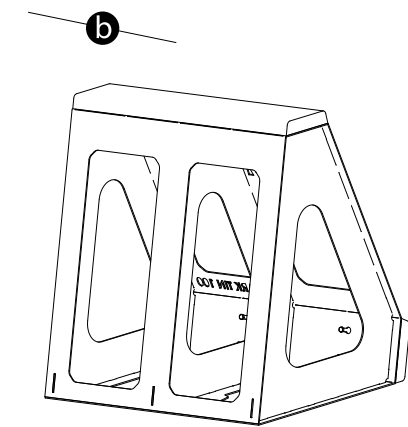
Ekki wood thickness 40mm (base of 600mm x 140mm)

Storing surface : 110mm x 600mm

W.L : 9000 Kg point load

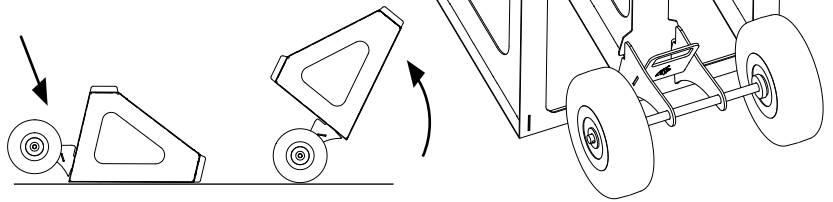
12000 Kg distributed load

Hardware : 8 stainless steel A2 sleeper screws M6x30



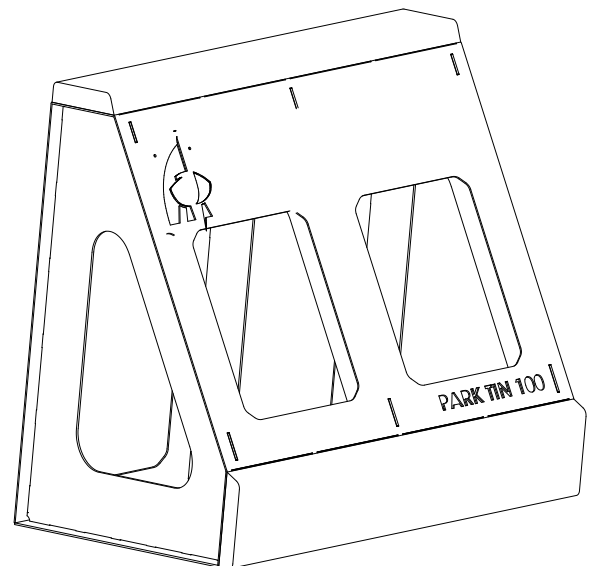
### Handling

PARK TIN100 can be used with PARK WHEEL.

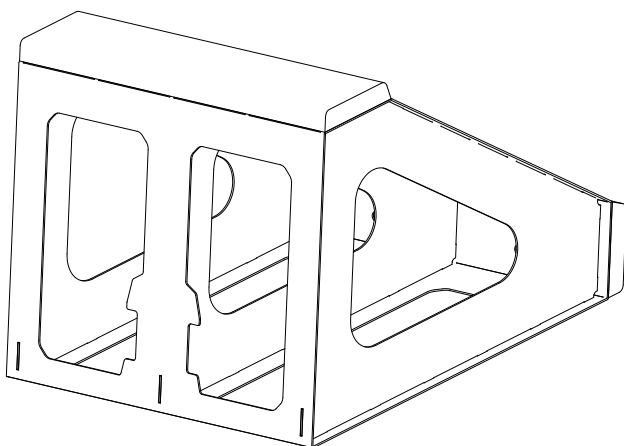


### Center distance & storing heights

Boat storing at 640 mm high



Boat storing at at 480 mm high



- Product sheet -