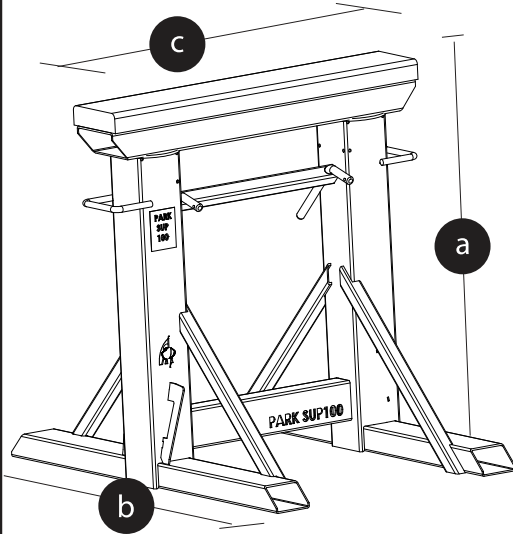


**Nautipark****PARK SUP100**

V.3.2

**Characteristics**

Storing heights : minimum height:770mm
maximum height:1170mm
75mm per step

Laying area : 735mm x 140mm

Average weight : 48 kg

Dimensions (a x b x c) : 770mm x 900mm x 735mm in low position

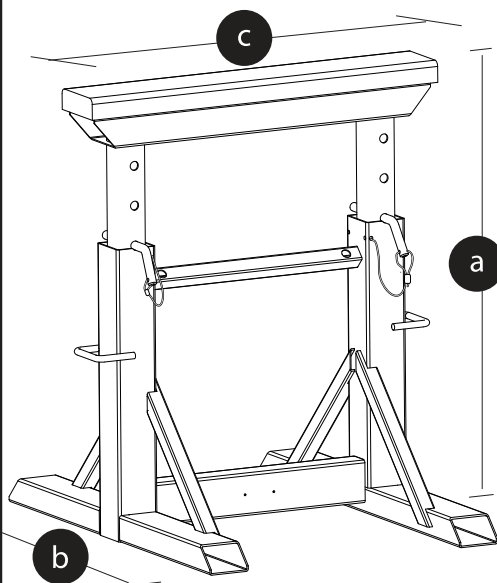
W.L : 8 T point load
12T distributed load

Materials : Hot galvanised steel structure
Ekkiwood thickness 40mm

hardware : 2 stainless steel A2 wires
4 stainless steel A2 sleeper screws M6x30

Nautipark**PARK SUP80**

V.2.3

**Characteristics**

Storing heights : H.Min.:650mm
H.Max.:920mm
75mm per step

Laying area : 720mm x 120mm

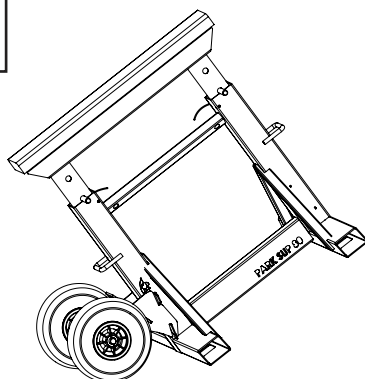
Average weight : 33 kg

Dimensions (a x b x c) : 650mm x 800mm x 720mm in low position

W.L : 4 T ponctuelle
8 T répartie

Materials : Hot galvanised steel structure
Ekkiwood thickness 40mm

hardware : 2 stainless steel A2 wires
4 stainless steel A2 sleeper screws M6x30

Manutention

*PARK SUP80 and PARK SUP100 can be used
with the PARK ROUE (transportation wheel device)*

- Product sheet -