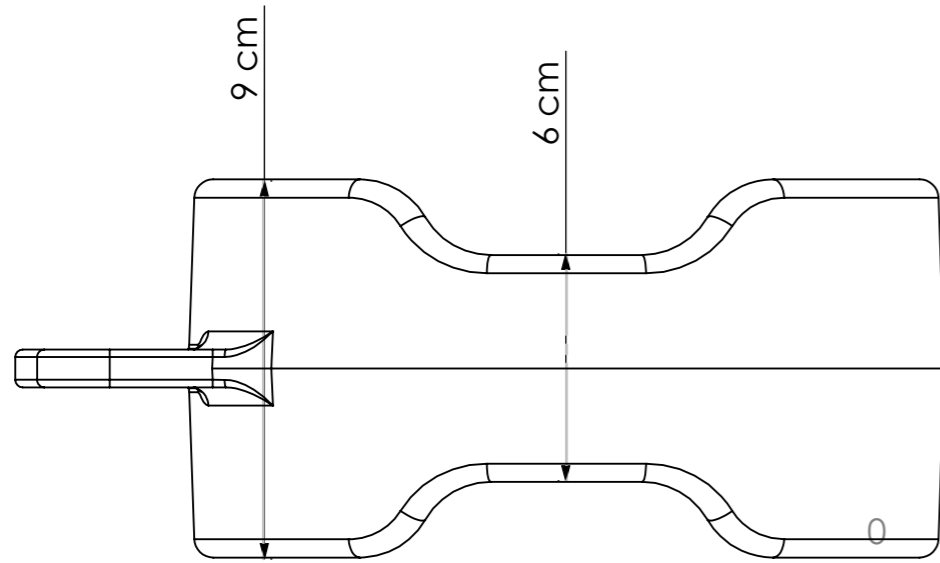


# SAFE WORKING LOAD



## TECHNICAL NAME

## COLOUR

## MIN

## MAX

INTERTECK 15/50

YELLOW

1,5T

5T

INTERTECK 30/150

ORANGE

3T

15T

