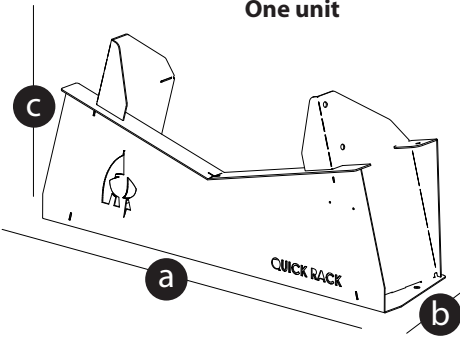




Characteristics

One unit**Dimensions** (a x b x c) : 875mm x 265mm x 406mm**Average weight** : 11 kg**Material** : Hot galvanised steel structure**W.L** : 2.5 T over 2 QUICK RACK and 2 wood beams (standard : 200x75mm)

3.5 T over 3 QUICK RACK and 2 wood beams (standard : 200x75mm)

Hardware : 8 stainless steel A2 screws THPF M10x90

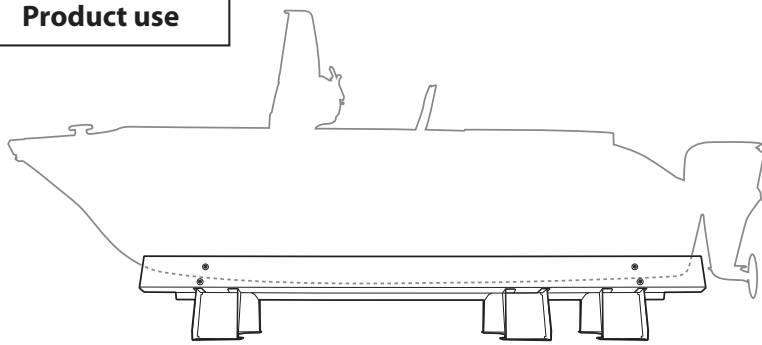
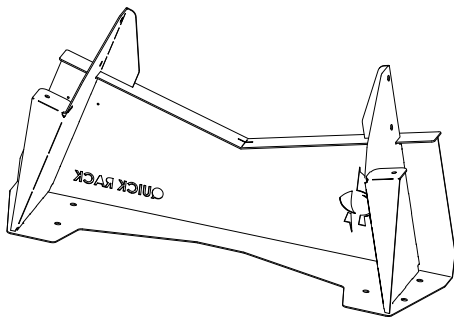
8 stainless steel A2 washers M10 LL

8 stainless steel A2 nylstop nuts M10

4 stainless steel A2 sleeper screws M6x30

For 2 units

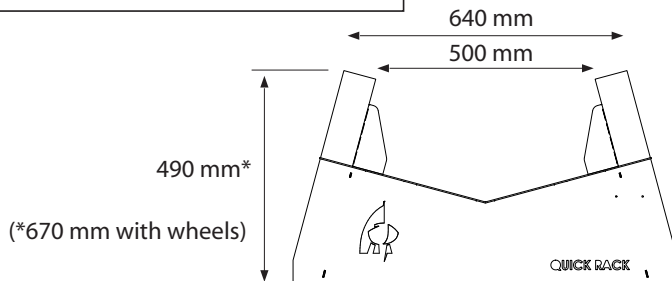
Product use



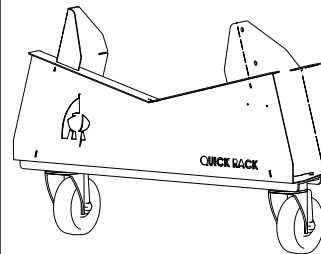
Max draft : 0.6 m

Motor boat up to 10 m

Center distance & storing heights



Option

**QUICK RACK on castors :**

1 pair of swivel castors with break

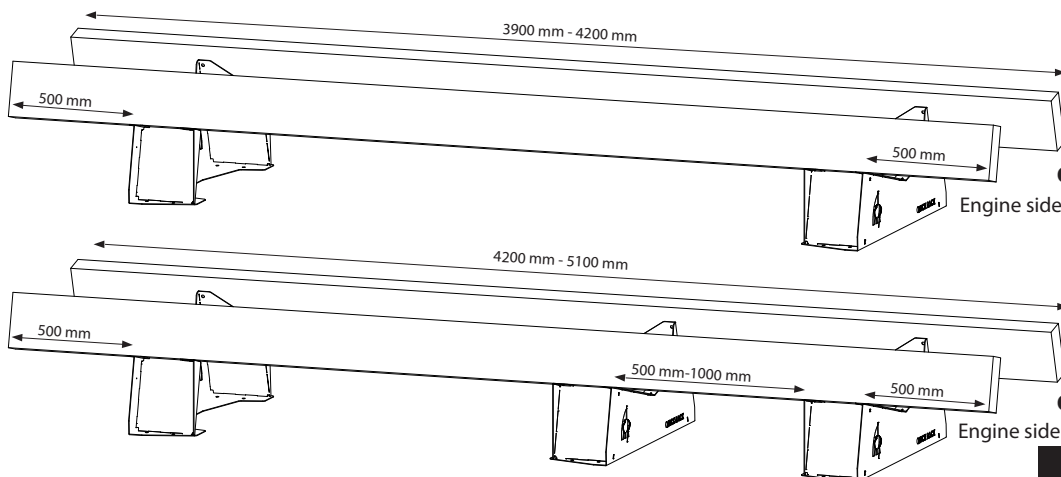
1 pair of swivel castors

1 pair of reinforcement

16 M10x30 A2 screws

16 nylstop nuts M10 A2

Installation plan

**2.5 T distributed load****3.5 T distributed load**

- Product sheet -